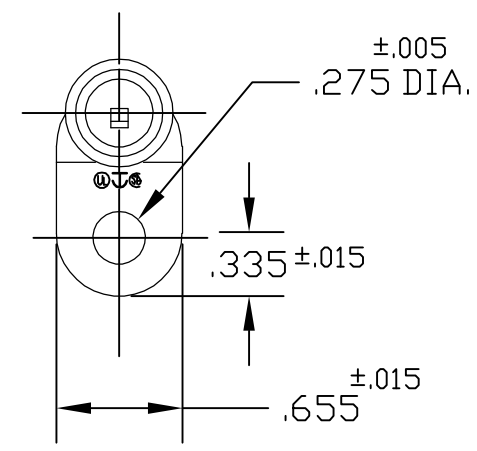
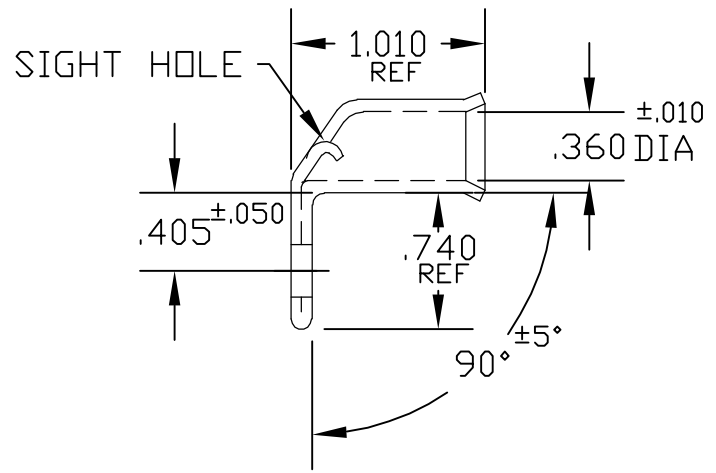


THIS DRAWING IS UNPUBLISHED. RELEASED FOR PUBLICATION  
 © COPYRIGHT - BY TYCO ELECTRONICS CORPORATION. ALL RIGHTS RESERVED.

LOC	DIST	REVISIONS					
		P	LTR	DESCRIPTION	DATE	DWN	APVD
G	50		C2	REV PER ECR 06-010290	08MAY06	JR	DD



ACTIVE	1141-11-90	STANDARD	TIN PLATE	1526442-2
ACTIVE	1141-10-90	STANDARD	PLAIN	1526442-1
STATUS	AET P/N	PACKAGING	FINISH	PART NUMBER

THIS DRAWING IS A CONTROLLED DOCUMENT.		DWN D.A.A 10/26/00	Tyco Electronics Corporation Harrisburg, PA 17105-3608		
DIMENSIONS: INCHES		CHK H.D.F 10/26/00			
		APVD H.D.F 10/26/00	NAME 1 STANDARD TERMINAL WITH SIGHT HOLE & BENT 90		
TOLERANCES UNLESS OTHERWISE SPECIFIED:		PRODUCT SPEC	-		
0 PLC ± -		APPLICATION SPEC	-		
1 PLC ± -		WEIGHT	-		
2 PLC ± -		SIZE	A3	CAGE CODE	00779
3 PLC ± -		DRAWING NO	C-1526442		RESTRICTED TO
4 PLC ± -		-			
ANGLES ± -		-			
MATERIAL COPPER ASTM B-152		CUSTOMER DRAWING		SCALE	1:1
FINISH		-		SHEET	1 OF 1
-		-		REV	C2